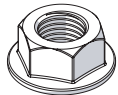


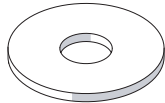
IN8421 Trade Van Racking - Kick Plate

SUPPLIED COMPONENTS

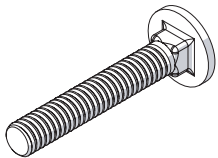
FX4011 X2
(M8 FLANGE NUT)



FX4040 X2
(M8 WASHER)

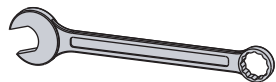


FX4138 X2
(M8X50 COACH BOLT)

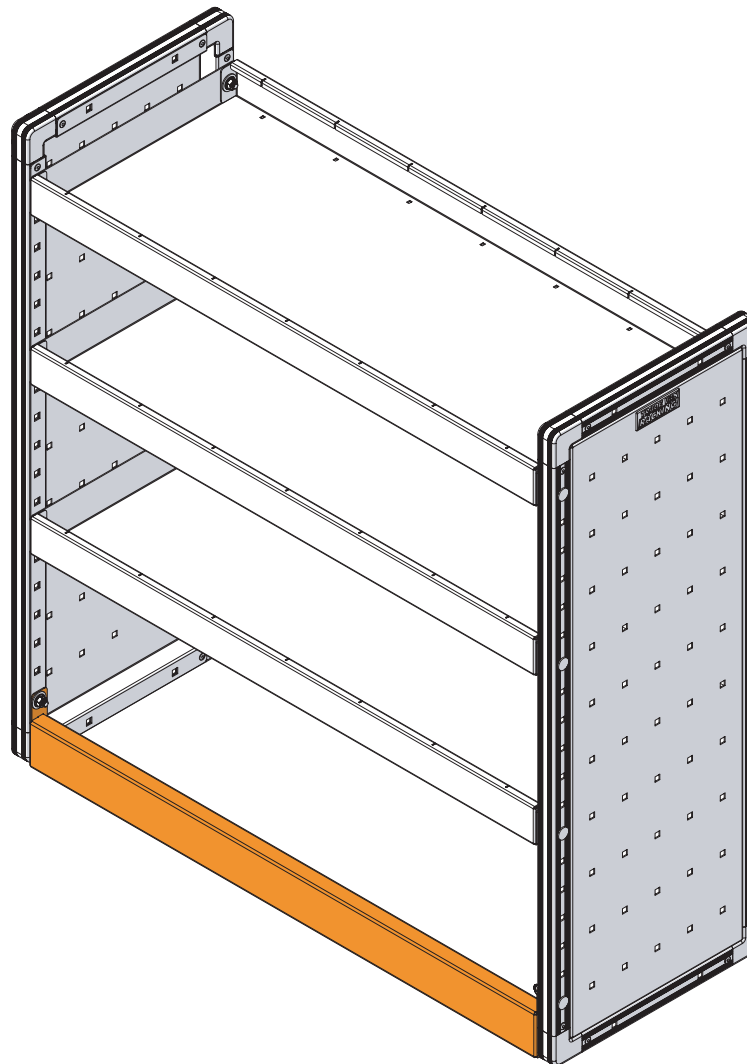


TOOLS REQUIRED

13MM X1

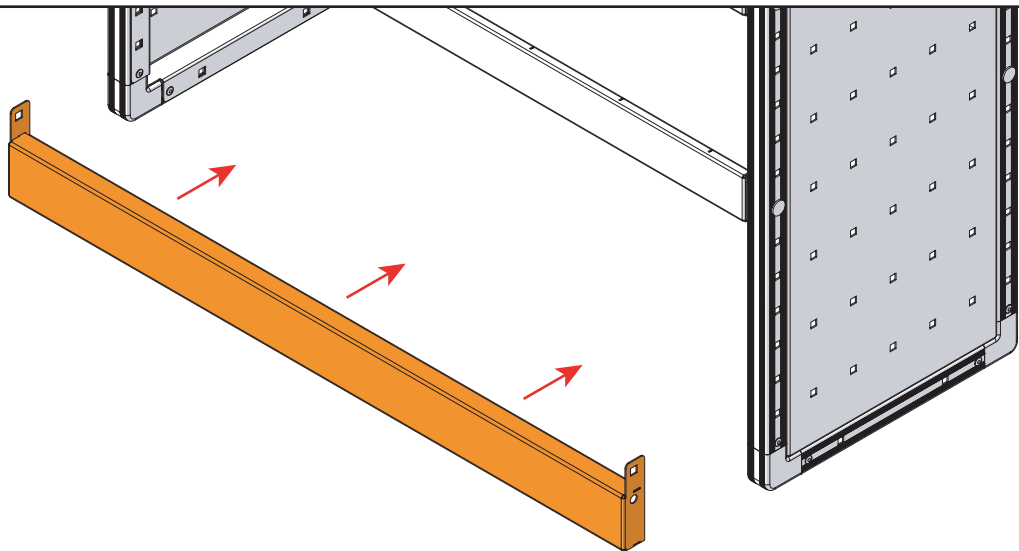


Customercare@van-guard.co.uk
UK +44 (0) 1392 368 351

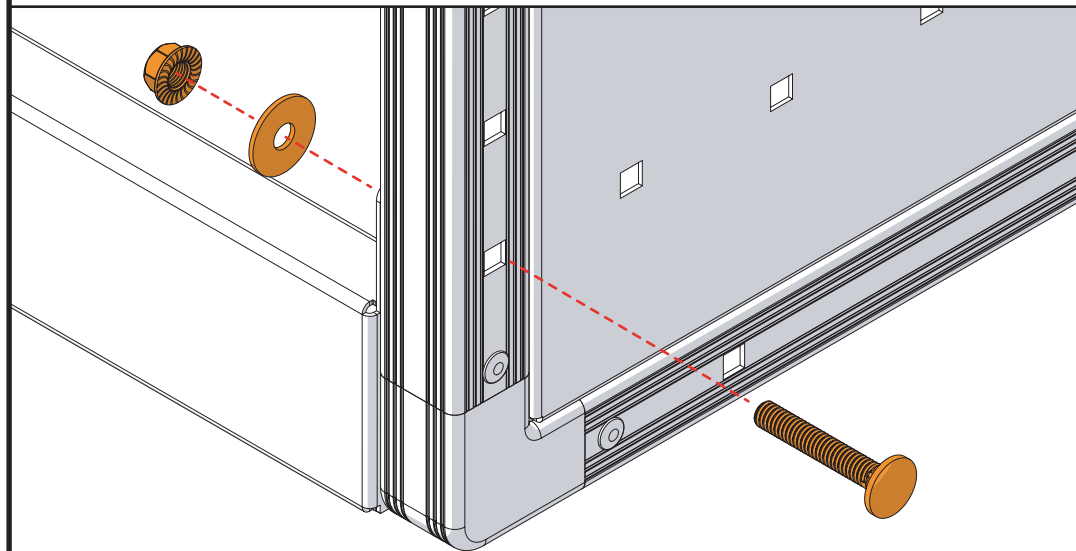


01

Place the kick plate into position.

**02**

Secure the right side of the kick plate to the side panel using a M8x50 coach bolt, M8 washer, and a M8 flange nut. Tighten fixing to 5Nm. Take care not to damage the unit by over tightening.

**03**

Secure the left side of the kick plate to the side panel using a M8x50 coach bolt, M8 washer, and a M8 flange nut. Tighten fixing to 5Nm. Take care not to damage the unit by over tightening.

